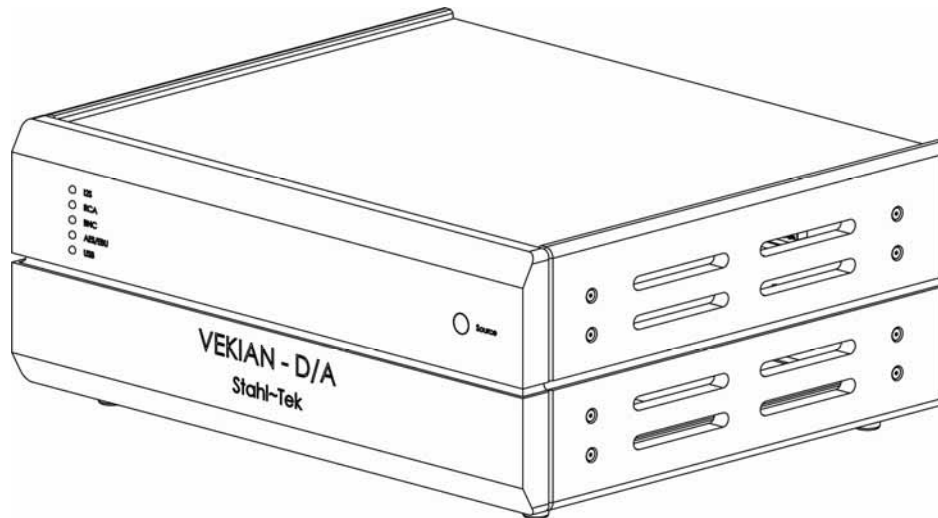


Stahl~Tek

Vekian - D/A



Operations Manual

Safety Instructions



The lightning flash with the arrowhead symbol within an equilateral triangle is intended to alert the user to the presence of “dangerous voltage” inside the product that may constitute a risk of electric shock.

The exclamation point within an equilateral triangle is intended to alert the user to the presence of important operating and maintenance instructions in the literature accompanying the product.

TO REDUCE THE RISK OF ELECTRIC SHOCK, AND/OR DAMAGE TO THE UNIT DO NOT REMOVE COVER. NO USER-SERVICEABLE PARTS INSIDE. REFER SERVICING TO QUALIFIED SERVICE PERSONNEL

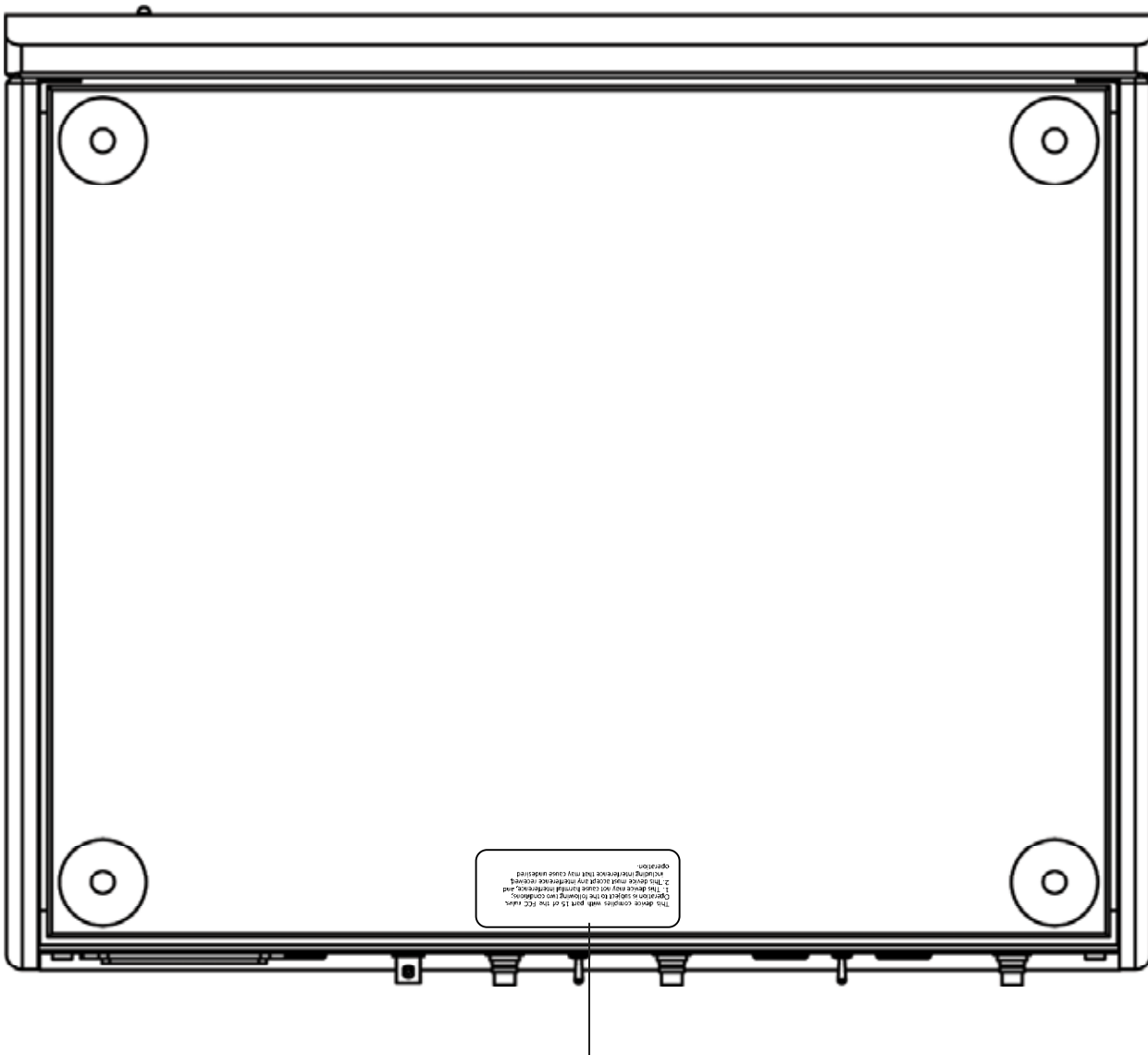
1. **Read Instructions** — Read all the safety and operating instructions before operating this
2. **Retain Instructions** — Retain safety and operating instructions for future reference.
3. **Heed Warnings** — Adhere to all warnings on the product and in the operating instructions.
4. **Follow Instructions** — Follow all operating and use instructions.
5. **Cleaning** — Unplug this product from the wall outlet before cleaning. Use a damp cloth for cleaning. Clean the outside of the product only.
6. **Attachments** — Do not use attachments that are not recommended by the product manufacturer; they may be hazardous.
7. **Water and Moisture** — Do not use this product near water.
8. **Accessories** — Do not place this product on an unstable cart or stand. The product may fall, causing bodily injury and damage to the product. A product and cart combination should be moved with care. Quick stops, excessive force, and uneven surfaces may cause the product and cart to overturn.
9. **Ventilation** — Slots and openings in the cabinet are provided for ventilation to ensure reliable operation of the product and to protect it from overheating. These openings must not be blocked or covered. This product should not be placed in a built-in installation such as a bookcase or rack unless proper ventilation is provided.
10. **Power Sources** — Operate this product only from the type of power source indicated on the label. If you are not sure of the type of power supply to your home, consult your dealer or local power company. This product is equipped with a three-prong grounding plug. This plug will only fit into a grounding power outlet. If you are unable to insert the plug into the outlet, contact your electrician to replace your obsolete outlet. Do not defeat the safety purpose of the grounding plug.
11. **Power Cord Protection** — Power supply cords should be routed so that they are not likely to be walked on or pinched by items placed upon or against them.
12. **Lightning** — Unplug the unit from the wall outlet for added protection during a lightning storm and when it is left unattended and unused for long periods of time. This will prevent damage to the product due to lightning and power line surges.
13. **Overloading** — Do not overload wall outlets or extension cords. This can result in a fire or electric shock.
14. **Inserting Objects into Unit** — Never push objects of any kind into this product through any openings; they may touch dangerous voltage points or short out parts that could result in fire or electric shock.
15. **Servicing** — Do not attempt to repair or service this product yourself. Opening or removing covers may expose you to dangerous voltage and other hazards. Refer all servicing to qualified service personnel.
16. **Damage Requiring Service** — Unplug this product from the wall outlet and refer servicing to qualified service personnel under the following conditions: **a)** If the power-supply cord or plug is damaged. **b)** If liquid has been spilled into the product. **c)** If the product has been exposed to rain or water. **d)** If the product does not operate normally by following the operating instructions. **e)** If the product has been dropped or damaged in any way. **f)** If the product exhibits a distinct change in performance.
17. **Replacement Parts** — When replacement parts are required, be sure the service technician has used replacement parts specified by the manufacturer. Unauthorized substitutions may result in fire, electric shock, and other hazards.

Continued on reverse...

Safety Instructions



18. **Safety Check** — Upon completion of any service or repairs to this product, ask the service technician to perform safety checks to determine that the product is in proper operating condition.
19. **Wall or Ceiling Mounting** — Mount the product to a wall or ceiling only as recommended.
20. **Heat** — The product should be situated away from heat sources such as radiators, heat registers, stoves, and other products (including amplifiers) that produce heat.



This device complies with part 15 of the FCC rules. Operation is subject to the following two conditions;

1. This device may not cause harmful interference, and
2. This device must accept any interference received, including interference that may cause undesired operation. “

Introduction



Thank you for purchasing the Stahl~Tek Vekian - D/A! Your new Vekian - D/A is a truly superior digital to analog converter! It is constructed of materials that provide excellent structural integrity, superb mechanical dampening, and isolates the internal circuitry from outside electrical interferences; while giving a stunningly sophisticated, elegant, and clean presentation. However, beauty is not just skin deep with this D/A; it is sonically breath-taking! The Vekian - D/A is extremely detailed and will breathe new life into your digital music whether it is from a CD or straight from a computer.

We recommend taking the time to read through this manual prior to using the unit. The manual will guide you through the setup, operation, proper care, and maintenance of the Vekian - D/A.

We are positive the Vekian - D/A will provide you many years of musical bliss. Please enjoy! If you have any questions, comments, concerns please do not hesitate to contact us.

- The Stahl~Tek Staff

Stahl~Tek

P.O. Box 125

Clute, TX 77531

Phone: (979) 265-5114

Fax: (979) 265-1211

Website: www.stahltek.com

Email: info@stahltek.com

Please fill in the information below for your records (The serial number is located on the back bottom right of the unit.):

Ownership Information:

Vekian - D/A S/N: _____

Stahl~Tek Dealer: _____

Date of Purchase: / / Dealer Phone: () - _____

Table of Contents

Safety Instruction	03
Introduction	05
Table of Contents	07
Unpacking	09
Getting To Know Your Unit	10
Front Of Unit	10
Rear Of Unit	10
Placement	11
Connecting	12
Power	12
Digital Source	12
Analog Outputs	12
Disconnecting	13
Usage	13
Powering Up	13
Selecting Source	13
Gain Adjustment	14
USB Input	14
Clock Switch	14
Troubleshooting	15
Maintenance	16
Cleaning	16
Fuse	16
Repairs	16
Warranty	17
Specifications	18
Notes	19

Unpacking

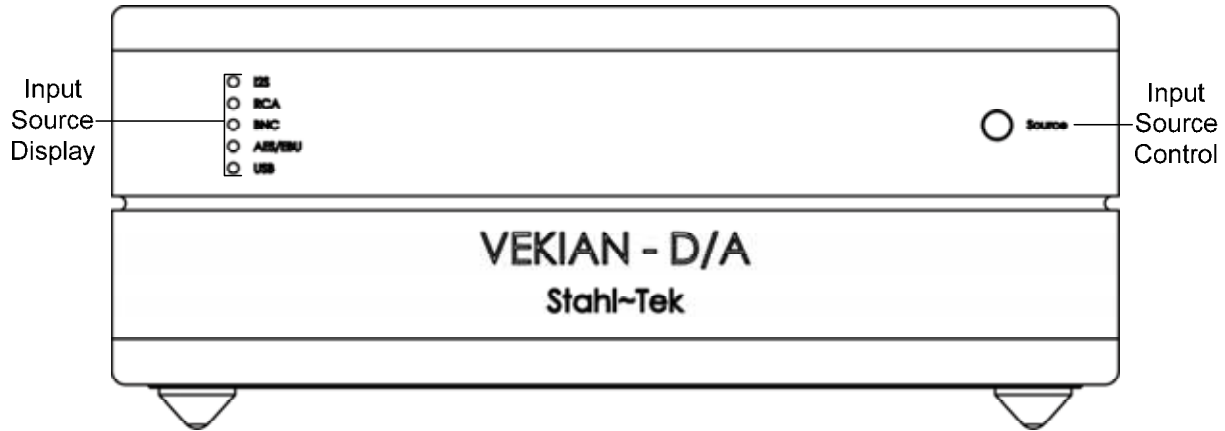
UN-BOXING THE UNIT:

1. Please Note: (1) Remove all jewelry to keep from scratching the unit. (2) The unit is double boxed.
2. Make sure the box is positioned with the “This Side Up” label.
3. Carefully open the outer box.
4. Remove the top foam piece.
5. Remove the power cord box. The unit’s power cord is inside this packing box.
6. Remove the Operations Manual.
7. Remove the two foam pieces protecting the inner box.
8. Gently remove the inner box, and set it on a flat solid surface.
9. Carefully open the inner box.
10. Remove the top foam piece.
11. Remove the pieces of foam on each side of the unit. (The back of the unit is indicated by the slotted piece of foam to protect the connectors).
12. Gently lift the unit out of the box by reaching down and lifting up from the bottom of the unit.
13. Save all boxes and pieces of foam for transport.
14. Handle the unit with care.
15. Remember to note the Serial Number (located on the back bottom right of the unit) in the front of this manual.

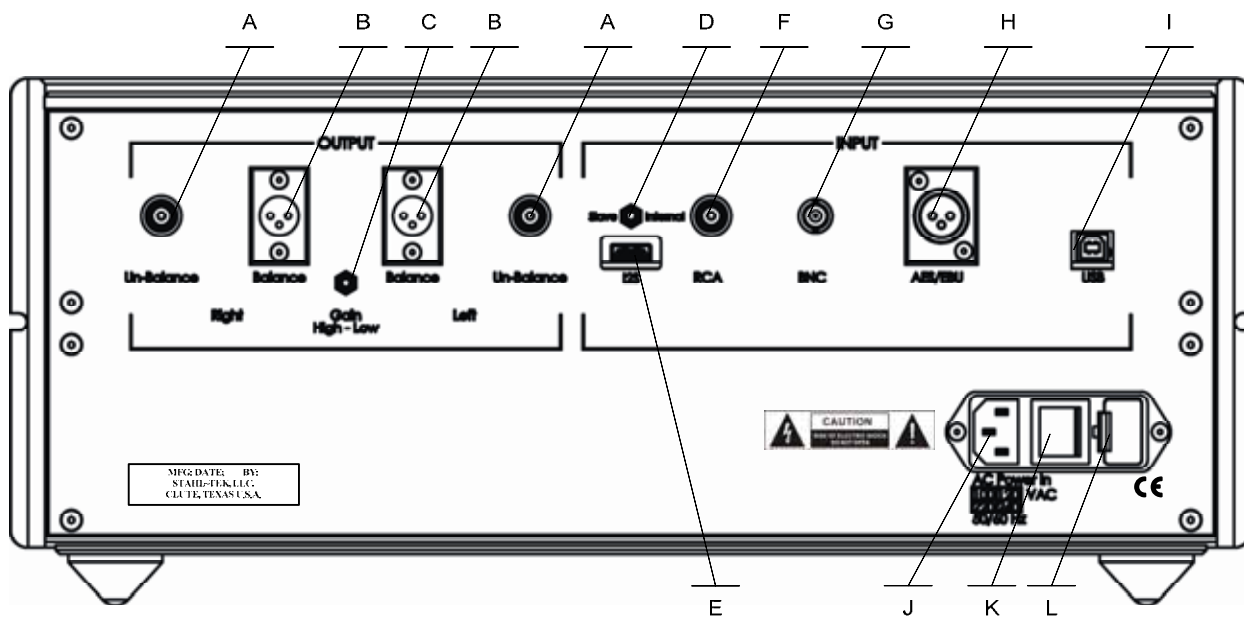
CONTENTS:

- One Vekian - D/A unit
- One Purist Audio Design Aqueous Aureus Power Cord
- Operations Manual

Getting To Know Your Unit



FRONT OF D/A

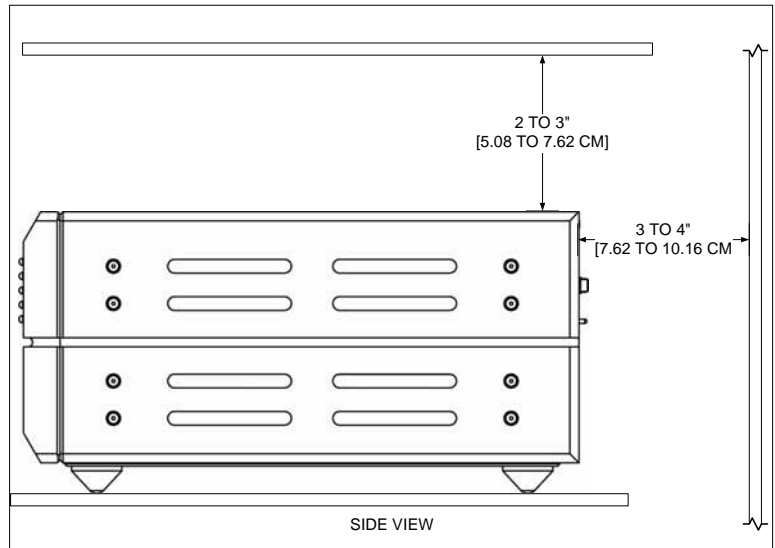


BACK OF DA

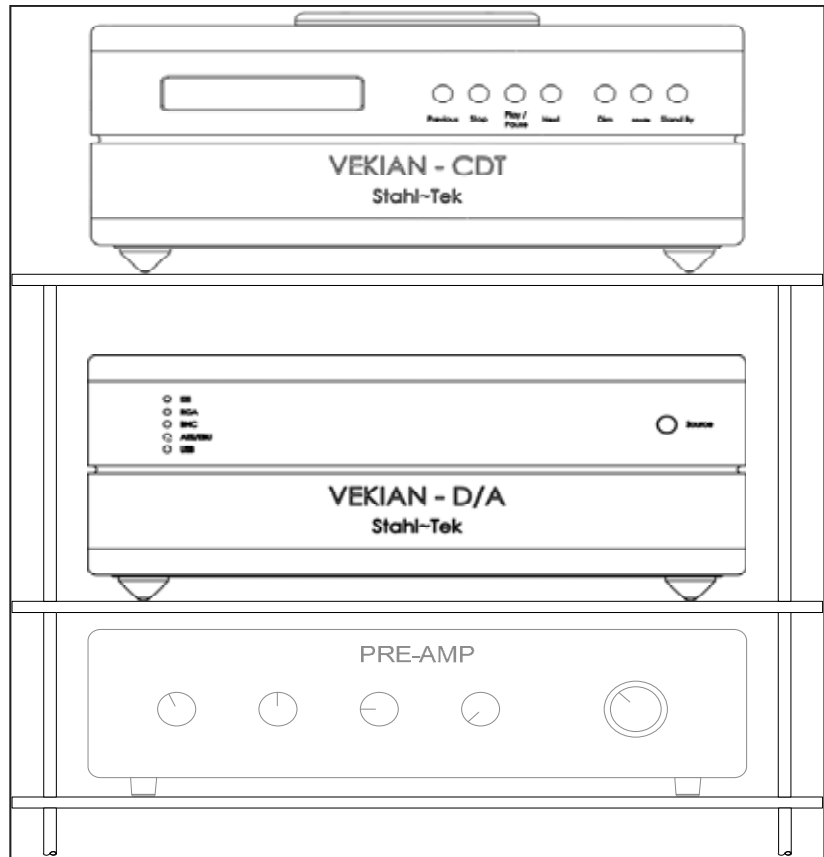
- A - RCA Un-Balanced Outputs
- B - XLR Balanced Outputs
- C - High/Low Gain Adjustment
- D - Switch?
- E - I2S Digital Input
- F - RCA Digital Input
- G - BNC Digital Input
- H - AES/EBU Digital Input
- I - USB Input
- J - 15 A Power Receptacle
- K - Power Switch
- L Fuse Drawer

Placement

When placing the unit in your system, position the unit where there is **3 inches (7.62 cm) to 4 inches (10.16 cm)** of clearance at the rear of the unit, and **2 inches (5.08 cm) to 3 inches (7.62 cm)** of clearance above the unit.



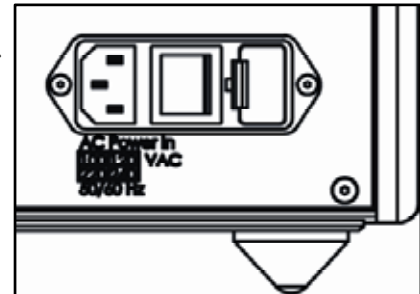
Suggested equipment placement:



Connecting

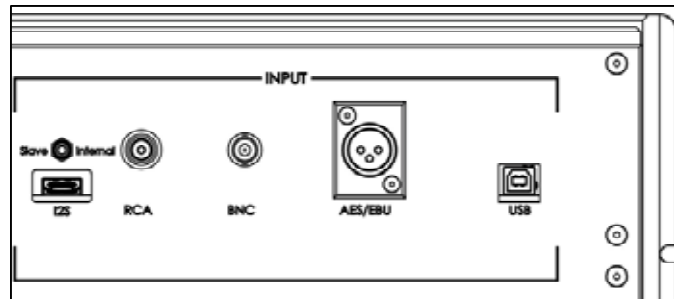
POWER:

1. Verify the power switch (located on the rear lower right of the unit) is in the OFF position.
2. Connect the IECC end of the power cord to the back of the unit (located to the right of the power switch).
3. Plug the AC end of the power cord into a wall outlet or power source.



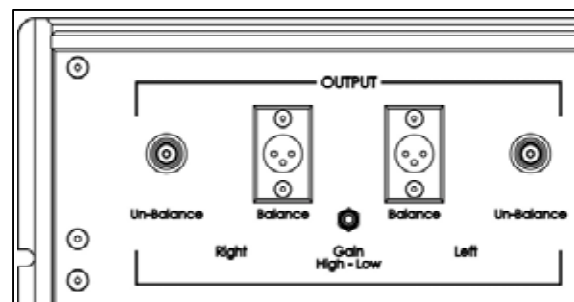
DIGITAL SOURCE:

1. The digital inputs are located on the upper left section of the rear panel, labeled **Input**.
2. Select the appropriate type of digital input based on your equipment.
3. Connect the digital cable from the digital source to the D/A.



ANALOG OUTPUTS:

1. The analog outputs are located on the upper right section of the rear panel, labeled **Output**.
2. Select the appropriate connection for your pre-amp.
3. Connect your interconnects from the D/A to the pre-amp.



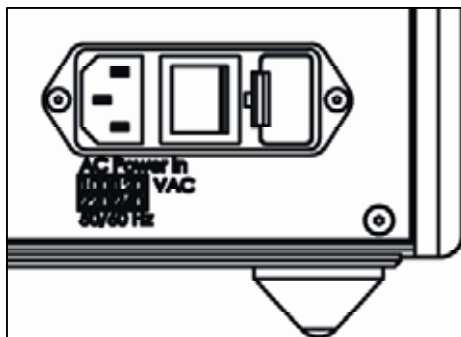
DISCONNECTING:

1. Switch off the power to the D/A.
2. Disconnect the power cord from the outlet or power source, then unhook it from the D/A.
3. Carefully disconnect the digital cable.
4. Carefully disconnect the stereo interconnects.

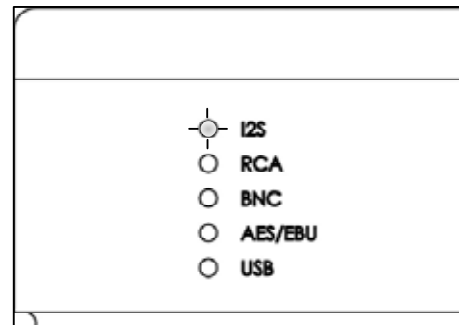
Usage

POWERING UP:

1. Verify the unit is plugged in.
2. Set the power switch (located on the rear lower right of the unit) is in the ON position.
3. The blue LED on the front of the unit will light up (the default is I2S).
4. Please Note: The unit outputs are muted for 15 to 20 seconds upon powering up.



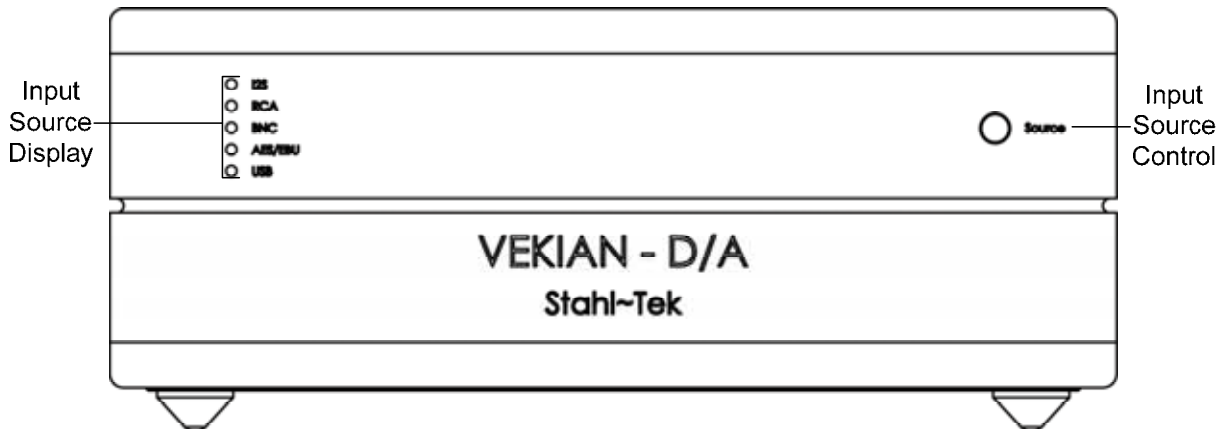
BACK BOTTOM RIGHT OF UNIT



FRONT TOP LEFT OF UNIT

SELECTING SOURCE:

1. To change the Input Source Selection, press the Input Source Control button.
2. Continue pressing the Input Source Control button until the desired source is indicated by the associated Input Source Display LED.



FRONT OF D/A

Usage

GAIN ADJUSTMENT:

The Gain Adjustment is designed to compensate for the 6dB difference between a balanced signal and a single-ended signal.

- Typical gain of Balanced Outputs (XLR) is with the Gain selection in the “Low” position.
- Typical gain of Single-Ended Outputs (RCA) is with the Gain selection in the “High” position.



Typical setting for
Balanced Outputs



Typical setting for
Single-Ended Outputs

USB INPUT:

The USB input on this D/A is designed to be used with a PC. It allows you to output your PC's sound directly to the D/A bypassing the PC's soundcard. This will give your digital music stored on your PC new life!!

1. Simply plug a **USB Type B cable** to one of the USB ports on your PC and connect the other end into the USB input on the rear of the D/A.
2. Please Note: Your PC should detect the unit and automatically install the drivers.
3. Select USB input on the D/A using the source selector
4. Mute the PC or laptop speakers.
5. Play your digital music collection using your preferred media player on your PC.
6. Please Note: This feature is tested to work on the following Operating Systems:
 - Microsoft Windows XP-SP2
 - Microsoft Windows Vista
 - Microsoft Windows 7
 - Apple Computer Mac OS 9.1 or later
 - Apple Computer Mac OS X 10.0 or later



CLOCK SWITCH:

The switch on the back of the unit above the I2S input is the clock switch. The clock switch allows for the user, when using the I2S input, to switch between the clock of the transport and the clock of the D/A.



Troubleshooting

Symptom	Cause	Remedy
Source indicator L.E.D. is not lit.	D/A is not plugged in.	Connect D/A to power outlet
	Fuse has blown.	Replace the fuse.
The correct source indicator L.E.D. is lit, but there is no sound.	No signal to D/A	Check the CD transport and check the cable connections.
	No signal to pre-amp.	Check the pre-amp settings and check the cable connections
D/A is plugged in, transport and pre-amp settings are correct, and all cables are connected properly.	The D/A is in need of service.	Contact the dealer where the D/A was purchased.

Maintenance And Repairs

MAINTENANCE:

Cleaning:

1. Wipe the unit down with a micro-fiber cloth to remove dust.
2. Apply a non-solvent glass cleaner (i.e. Windex) to a soft cotton cloth to remove smudges from the front, sides, and, top of the unit.

Fuse:

1. Switch the power off, and unplug the unit.
2. Check the rear of the unit, under the AC Power In, for the listing of the fuse, and make sure the correct replacement type is obtained.
3. Squeeze the tab on the fuse and pull it from the socket.
4. Insert the new fuse (verify it is the correct type) into the socket until it snaps into place.

REPAIRS:

1. DO NOT attempt any repairs yourself.
2. Any un-authorized service or repairs will void the warranty.
3. In the event repairs are needed, contact Stahl~Tek.
4. Please Note: **Any attempt to open and/or alter the unit will void the warranty.**

Warranty

Scope and Duration of Warranty

Subject to the terms and conditions stated below, Stahl~Tek. ("Company") warrants to the original owner that this Product shall be free from defects in workmanship or materials as follows:

Vekian - D/A

The warranty period for the Vekian - D/A is for a term of one (1) year for both parts and labor from the date when the Product was purchased from an Authorized Stahl~Tek Dealer, Custom Installer, System Integrator or Reseller.

Limitations on Persons and Products Covered

This warranty, and all rights provided hereunder, are limited to the original owner. In the event that the original owner transfers ownership of the Product prior to expiration of the applicable term stated in "Scope of Duration" above, this Warranty shall terminate in its entirety upon the date of such transfer. In addition, Stahl~Tek does not warrant in any way Products which are purchased from anyone who is not an Authorized Stahl~Tek Dealer, Custom Installer, System Integrator, or Reseller. Therefore, if this Product falls into any of the foregoing categories, this Warranty is void.

What Stahl~Tek Will Do Under the Warranty

In the event of any defect covered by this Warranty, Stahl~Tek shall without charge provide all parts and materials and, during the period applicable to labor, will also provide all labor necessary to restore the Product to its original specifications, and shall return the Product to its owner at Stahl~Tek's expense within the U.S. only. In the alternative, Stahl~Tek may at its sole option either replace the Product without charge, or if replacement is not commercially practicable or repair or replacement cannot be accomplished within a reasonable time, Stahl~Tek may refund the purchase price of the Product, subject, where appropriate, to reasonable depreciation for actual use in accordance with applicable laws in full satisfaction of its warranty obligations, Stahl~Tek will undertake to complete the repair and return of the Product as soon as circumstances permit, unless prevented by causes beyond its reasonable control.

LIMITATIONS ON STAHL~TEK'S OBLIGATIONS UNDER THE WARRANTY STAHL~TEK'S SOLE OBLIGATION UNDER THIS WARRANTY SHALL BE TO REPAIR OR REPLACE THE PRODUCT, OR AT ITS OPTION, REFUND THE PURCHASE PRICE, AS PROVIDED FOR HEREINABOVE. STAHL~TEK DOES NOT WARRANT AGAINST, NOR SHALL IT BE LIABLE FOR ANY OF THE FOLLOWING: REMOVAL OR INSTALLATION CHARGES; SHIPPING EXPENSES TO STAHL~TEK OR ITS AUTHORIZED SERVICE FACILITY; LOSS OF USE; PROPERTY DAMAGE OF ANY KIND; OR OTHER INCIDENTAL OR CONSEQUENTIAL DAMAGES OR LOSSES OF ANY KIND.

Note: Some states do not allow exclusions or limitation of consequential damages, so the foregoing exclusions may not apply to you.

Exclusions: Parts and Occurrences That Are Not Covered by the Warranty

In addition to the exclusions stated in "Limitations on Persons and Products Covered" above, this Warranty does not cover any of the following: (a) glass or plastic panels, cabinetry, trim, or other appearance items (except where they are defective at the time of original sale and the Product is delivered for repair within the first thirty (30) days thereafter); (b) batteries or failure of or damage to the Product caused by batteries; (c) failures arising from accident, catastrophe, misuse, neglect, or failure to properly connect and operate the Product in accordance with the accompanying instructions or specifications; (d) failure of moving parts, remote controls, lasers, front panel displays and video screens occurring more than two (2) years after purchase, even though the Product may otherwise still be under warranty, as provided in "Scope and Duration" above; (e) failures of any kind in Products which evidence any tampering, alteration, defacement of their serial numbers, or attempted servicing by anyone other than Stahl~Tek or an Authorized Stahl~Tek Service Facility; and (f) failures arising from improper installation of the Product or incompatibility of other components in the system of which the Product is a part; and Stahl~Tek shall have no liability or obligation of any kind with respect to any of the foregoing types of failures.

Specifications

Digital Inputs	I2S	HDMI
	RCA	75 Ω +/- 1% on RCA
	BNC	75 Ω +/- 1% on BNC
	AES/EBU	110 Ω +/- 1% on XLR
	USB	
Sampling Input Frequencies	32kHz - 192KHz	
Quantization	24 Bits Resolution	
Analog Outputs	Frequency Response	0 Hz - 100 KHz +/- 0.2 dB
	Signal to noise ratio	>127 dB
	Dynamic Range	>127 dB
	THD	< 0.005%
	Output Level	True Balance - XLR - Outputs: 3.25Vrms or +12.45dBu at 0dBFS - low gain setting . 6.5Vrms or +18.47dBu at 0dBFS - high gain setting.
		Single-Ended Unbalanced - RCA - outputs: 1.63Vrms or +6.43dBu at 0dBFS - low gain setting. 3.25Vrms or +12.45dBu at 0dBFS - high gain setting.
	Output Impedance	43 Ω
Other	Size	W: 18.2" H: 7.5" D: 15.2"
	Weight	54 LBS
	AC Supply Voltage	100/120/240 V
	Fuse	Either, Two 2-Amp Slow-Blow 5x20mm style fuses @ 100/120Volts or One 1.2-Amp Slow-Blow 5x20mm style fuses @ 240 Volts

